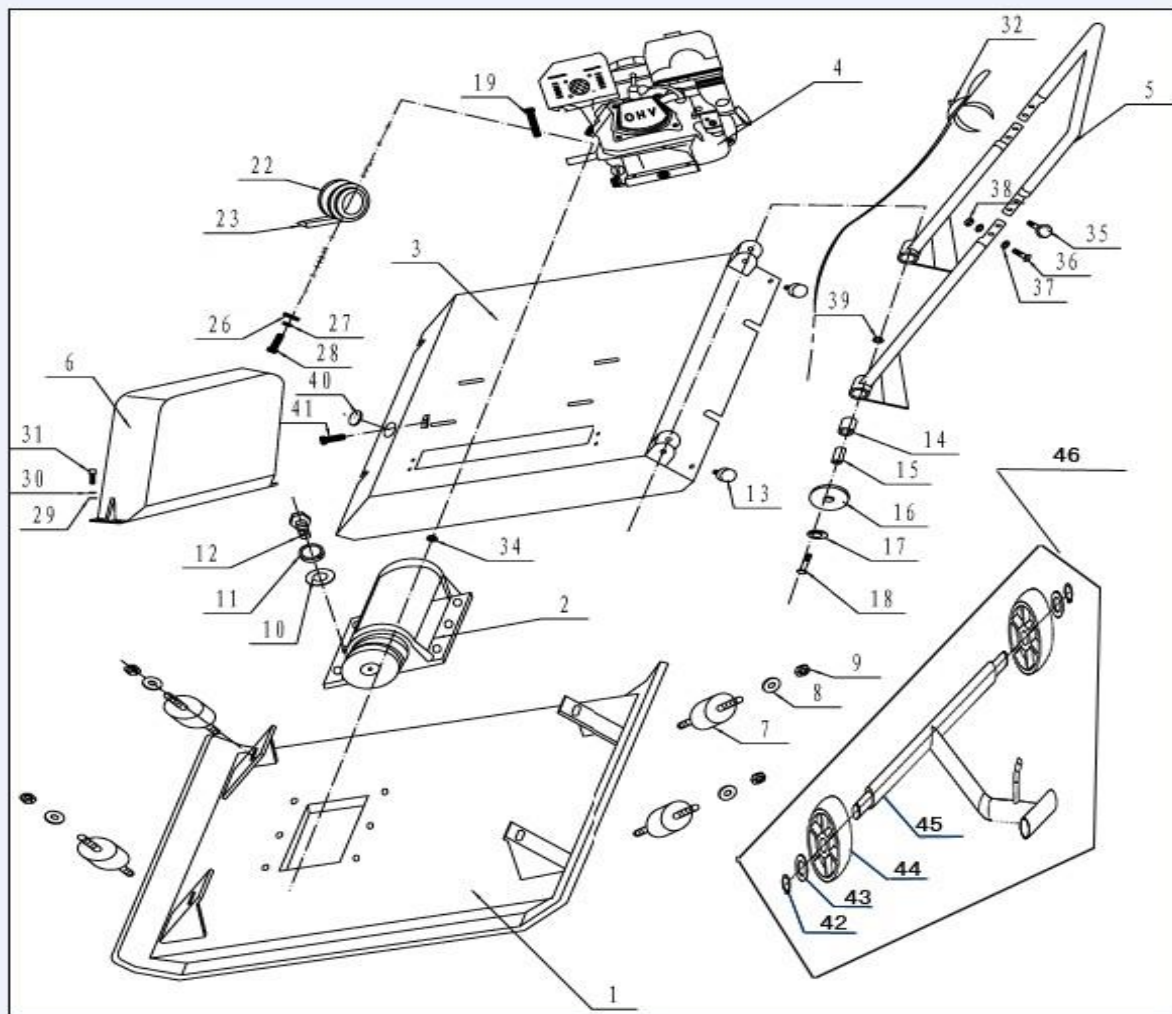


COMPACTADOR DE PLATOS-Frequencia 4200 vpm



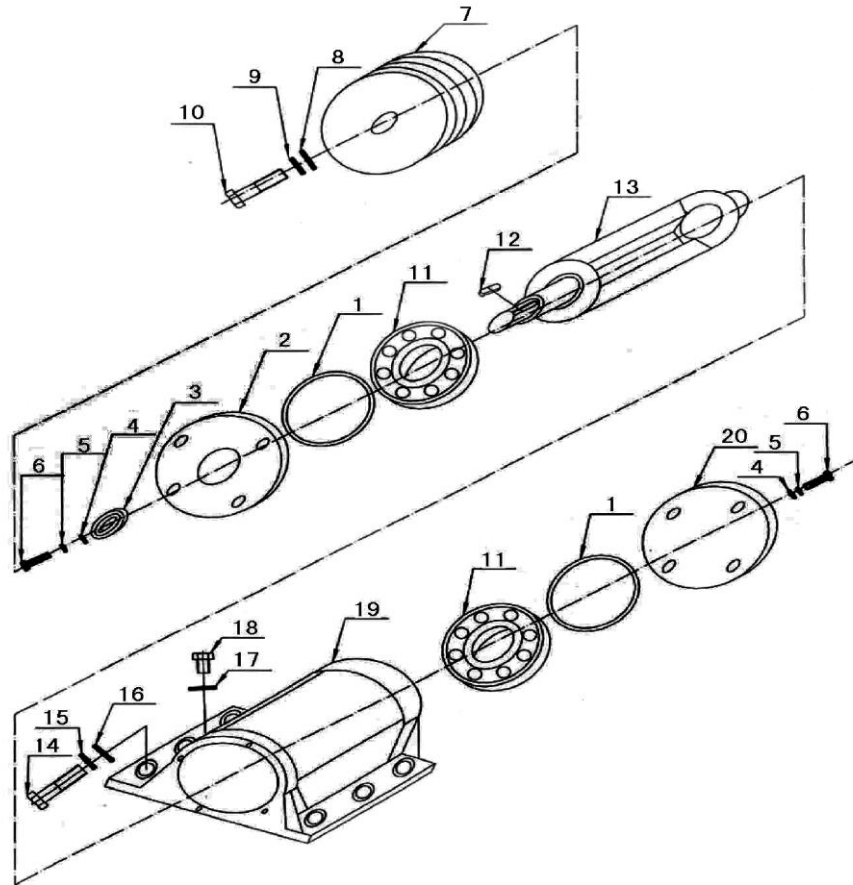
MODELO - BON-P-PC-15KN-6.5HP



| No. | BOHNOEFFER CODIGO | DESCRIPTION IN ENGLISH | DESCRIPCION EN ESPANOL |
|-----|-------------------|------------------------------------|--|
| 1 | BONPC-15KN-A1 | Vibrating plate | Placa vibratoria |
| 2 | BONPC-15KN-A2 | Vibrator assembly | Conjunto de vibrador |
| 3 | BONPC-15KN-A3 | Plate for engine mounting | Placa para montaje del motor |
| 4 | BONPC-15KN-A5 | Foldable Handle Assy(Optional) | Conjunto de manija plegable (opcional) |
| 5 | BONPC-15KN-A5.1 | Straight handle Assy | Conjunto de mango recto |
| 6 | BONPC-15KN-A6 | Belt cover | Funda de cinturón |
| 7 | BONPC-15KN-A7 | Shock absorber for vibrating plate | Amortiguador para placa vibratoria |
| 8 | BONPC-15KN-A8 | Flat washer M12 | Arandela plana M12 |
| 9 | BONPC-15KN-A9 | Nut M12 | Tuerca M12 |
| 10 | BONPC-15KN-A10 | Flat washer \varnothing 16 | Arandela plana \varnothing 16 |
| 11 | BONPC-15KN-A11 | Spring washer \varnothing 16 | Arandela de resorte \varnothing 16 |

| | | | |
|----|------------------|----------------------------------|-------------------------------------|
| 12 | BONPC-15KN-A12 | Hexagonal bolt M16*40 | Perno hexagonal M16 * 40 |
| 13 | BONPC-15KN-A13 | Collar | Collar |
| 14 | BONPC-15KN-A14 | Rubber coupling for handle | Acoplamiento de goma para mango |
| 15 | BONPC-15KN-A15 | Liner for handle | Forro para asa |
| 16 | BONPC-15KN-A16 | Flat washer ϕ 12 | Arandela plana ϕ 12 |
| 17 | BONPC-15KN-A17 | Spring washer ϕ 12 | Arandela de resorte ϕ 12 |
| 18 | BONPC-15KN-A18 | Hexagonal bolt M12*65 | Perno hexagonal M12 * 65 |
| 19 | BONPC-15KN-A19 | Hexagonal bolt M8*40 | Perno hexagonal M8 * 40 |
| 20 | BONPC-15KN-A22 | Clutch assembly | Conjunto de embrague |
| 21 | BONPC-15KN-A23 | Belt | Cinturón |
| 22 | BONPC-15KN-A26 | Bigger flat washer ϕ 8 | Arandela plana más grande ϕ 8 |
| 23 | BONPC-15KN-A27 | Spring washer ϕ 8 | Arandela de resorte ϕ 8 |
| 24 | BONPC-15KN-A28 | Bolt M8 | Perno M8 |
| 25 | BONPC-15KN-A29 | Flat washer ϕ 8 | Arandela plana ϕ 8 |
| 26 | BONPC-15KN-A30 | Spring washer ϕ 8 | Arandela de resorte ϕ 8 |
| 27 | BONPC-15KN-A31 | Socket head bolt M8*20 | Perno de cabeza hueca M8 * 20 |
| 28 | BONPC-15KN-A32 | Throttle lever assy | Conjunto de palanca del acelerador |
| 29 | BONPC-15KN-A32.1 | Throttle lever | Palanca del acelerador |
| 30 | BONPC-15KN-A32.2 | Throttle cable | Cable del acelerador |
| 31 | BONPC-15KN-A35 | Horned bolt M10(Optional) | Perno con cuernos M10 (opcional) |
| 32 | BONPC-15KN-A36 | Hexagonal bolt M10*35(Optional) | Perno hexagonal M10 * 35 (Opcional) |
| 33 | BONPC-15KN-A37 | Flat washer ϕ 10(Optional) | Arandela plana ϕ 10 (opcional) |
| 34 | BONPC-15KN-A38 | Locknut M10(Optional) | Contratuercas M10 (opcional) |
| 35 | BONPC-15KN-A39 | Locknut M12 | Contratuercas M12 |
| 36 | BONPC-15KN-A40 | Rubber cap | Tapón de goma |
| 37 | BONPC-15KN-A41 | Hexagonal bolt M8*50 | Perno hexagonal M8 * 50 |
| 38 | BONPC-15KN-A42 | Circilp ϕ 17(Optional) | Circilp ϕ 17 (opcional) |
| 39 | BONPC-15KN-A43 | Flat washer ϕ 17(Optional) | Arandela plana ϕ 17 (opcional) |

| | | | |
|----|----------------|--------------------------------------|---------------------------------------|
| 40 | BONPC-15KN-A44 | Wheel (Optional) | Rueda (opcional) |
| 41 | BONPC-15KN-A45 | Bracket of trolley wheels(Optional) | Soporte de ruedas de carro (Opcional) |
| 42 | BONPC-15KN-A46 | Trolley wheel assy(Optional) | Conjunto de rueda de carro (opcional) |



| No. | BOHNOEFFER CODIGO | DESCRIPTION IN ENGLISH | DESCRIPCION EN ESPANOL |
|-----|-------------------|--------------------------------|--|
| 1 | BONPC-15KN-B01 | Paper cushion | Cojín de papel |
| 2 | BONPC-15KN-B02 | Case cover for pulley | Cubierta de caja para polea |
| 3 | BONPC-15KN-B03 | Oil seal 35*55*12 | Sello de aceite 35 * 55 * 12 |
| 4 | BONPC-15KN-B04 | Flat washer \varnothing 8 | Arandela plana \varnothing 8 |
| 5 | BONPC-15KN-B05 | Spring washer \varnothing 8 | Arandela de resorte \varnothing 8 |
| 6 | BONPC-15KN-B06 | Hexagonal bolt M8*25 | Perno hexagonal M8 * 25 |
| 7 | BONPC-15KN-B07 | Pulley, driven | Polea, impulsada |
| 8 | BONPC-15KN-B08 | Flat washer \varnothing 10 | Arandela plana \varnothing 10 |
| 9 | BONPC-15KN-B09 | Spring washer \varnothing 10 | Arandela de resorte \varnothing 10 |
| 10 | BONPC-15KN-B10 | Air vent screw M10*30 | Tornillo de ventilación de aire M10 * 30 |
| 11 | BONPC-15KN-B11 | Bearing 6309 | Teniendo 6309 |
| 12 | BONPC-15KN-B12 | Flat key 8*20 | Llave plana 8 * 20 |
| 13 | BONPC-15KN-B13 | Ecc. Rotary shaft | Ecc. Eje rotatorio |

| | | | |
|----|----------------|--------------------------|----------------------------------|
| 14 | BONPC-15KN-B14 | Hexagonal bolt M16*40 | Perno hexagonal M16 * 40 |
| 15 | BONPC-15KN-B15 | Spring washer ϕ 16 | Arandela de resorte ϕ 16 |
| 16 | BONPC-15KN-B16 | Flat washer ϕ 16 | Arandela plana ϕ 16 |
| 17 | BONPC-15KN-B17 | Aluminum washer | Arandela de aluminio |
| 18 | BONPC-15KN-B18 | Oil plug | Tapón de aceite |
| 19 | BONPC-15KN-B19 | Vibrating case | Estuche vibrante |
| 20 | BONPC-15KN-B20 | Case cover / shut-off | Tapa de la caja / cierre |