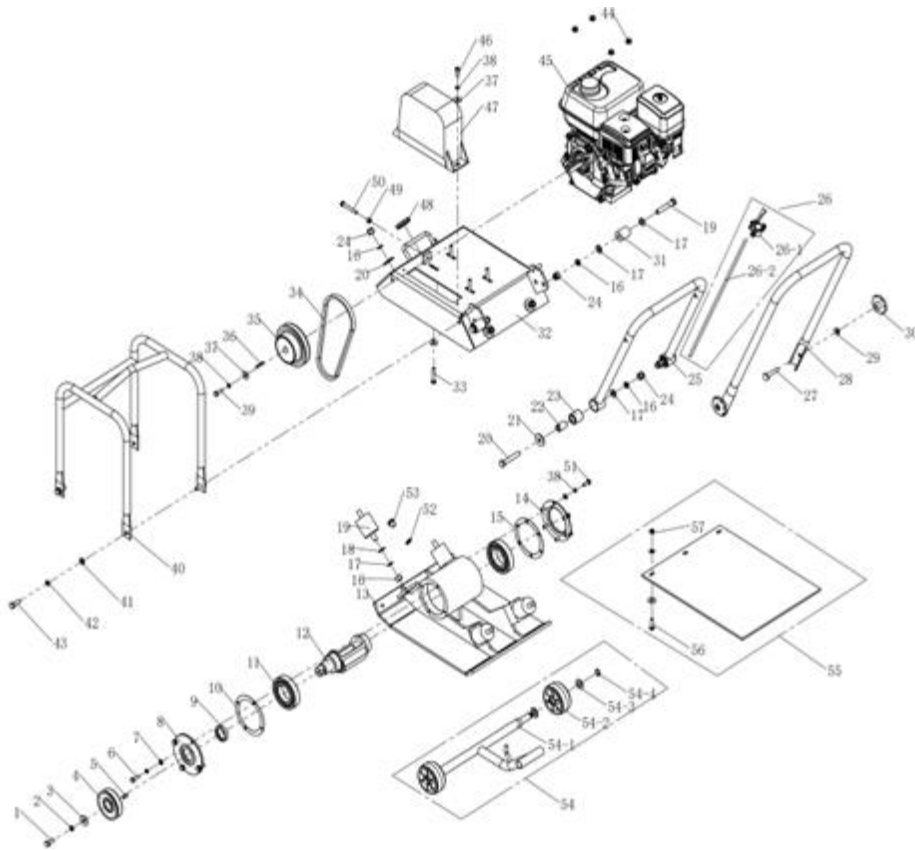


COMPACTADOR DE PLATOS



MODELO: BON-P-PC-11KN-6.5HP



| S.NO. | BONHOEFFER CÓDIGO | PRODUCTO IN SPANISH | PRODUCT IN ENGLISH |
|-------|----------------------|------------------------------|---------------------------------|
| 1 | BONPC-11KN-01 | Hex bolt M10x25 | Perno hexagonal M10 x 25 |
| 2 | BONPC-11KN-02 | Cushion ϕ 10 | Cojín ϕ 10 |
| 3 | BONPC-11KN-03 | Large Plain washer ϕ 10 | Arandela plana grande ϕ 10 |
| 4 | BONPC-11KN-04 | Pulley, driven | Polea, impulsada |
| 5 | BONPC-11KN-05 | Flat key 8x18 | Llave plana 8 x 18 |
| 6 | BONPC-11KN-06 | Hex bolt M8x25 | Perno hexagonal M8 x 25 |
| 7 | BONPC-11KN-07 | Plain washer ϕ 8 | Arandela plana ϕ 8 |
| 8 | BONPC-11KN-08 | Case cover for pulley | Cubierta de caja para polea |
| 9 | BONPC-11KN-09 | Oil seal 35x48x7 | Sello de aceite 35 x 48 x 7 |
| 10 | BONPC-11KN-10 | Paper cushion | Cojín de papel |

| | | | |
|----|-----------------|------------------------------------|--|
| 11 | BONPC-11KN-11 | Deep groove bearing 6211 | Rodamiento de ranura profunda 6211 |
| 12 | BONPC-11KN-12 | Ecc. Rotary shaft | Ecc. Eje rotatorio |
| 13 | BONPC-11KN-13 | Base Plate | Plato base |
| 14 | BONPC-11KN-14 | Case cover / shut-off | Tapa de la caja / cierre |
| 15 | BONPC-11KN-15 | Paper cushion of case cover | Cojín de papel de la funda |
| 16 | BONPC-11KN-16 | Hex nut M12 | Tuerca hexagonal M12 |
| 17 | BONPC-11KN-17 | Cushion ϕ 12 | Cojín ϕ 12 |
| 18 | BONPC-11KN-18 | Plain washer ϕ 12 | Arandela plana ϕ 12 |
| 19 | BONPC-11KN-19 | Shock absorber for vibrating plate | Amortiguador para placa vibratoria |
| 20 | BONPC-11KN-20 | Hex half tooth bolt M12x70 | Perno hexagonal de medio diente M12 x 70 |
| 21 | BONPC-11KN-21 | Large Plain washer ϕ 12 | Arandela plana grande ϕ 12 |
| 22 | BONPC-11KN-22 | Handle liner | Mango de revestimiento |
| 23 | BONPC-11KN-23 | Rubber coupling for handle | Acoplamiento de goma para mango |
| 24 | BONPC-11KN-24 | Hex locknut M12 | Contratuerca hexagonal M12 |
| 25 | BONPC-11KN-25 | Foldable handle,lower | Asa plegable, inferior |
| 26 | BONPC-11KN-26 | Throttle lever assy | Conjunto de palanca del acelerador |
| 27 | BONPC-11KN-26.1 | Throttle lever | Palanca del acelerador |
| 28 | BONPC-11KN-26.2 | Throttle cable | Cable del acelerador |
| 29 | BONPC-11KN-27 | Fixing screw for foldable handle | Tornillo de fijación para asa plegable |
| 30 | BONPC-11KN-28 | Foldable handle,upper | Asa plegable, superior |
| 31 | BONPC-11KN-29 | Washer for foldable handle | Arandela para asa plegable |
| 32 | BONPC-11KN-30 | Plum nut for foldable handle | Tuerca de ciruela para mango plegable |
| 33 | BONPC-11KN-31 | Rubber coupling for handle | Acoplamiento de goma para mango |

| | | | |
|----|---------------|-----------------------------------|--|
| 34 | BONPC-11KN-32 | Plate for engine mounting | Placa para montaje del motor |
| 35 | BONPC-11KN-33 | Hex bolt M8x45 | Perno hexagonal M8 x 45 |
| 36 | BONPC-11KN-34 | Belt A686 | Cinturón A686 |
| 37 | BONPC-11KN-35 | Clutch assy | Conjunto de embrague |
| 38 | BONPC-11KN-36 | Engine flat key | Llave plana del motor |
| 39 | BONPC-11KN-37 | Large Plain washer ϕ 8 | Arandela plana grande ϕ 8 |
| 40 | BONPC-11KN-38 | Cushion ϕ 8 | Cojín ϕ 8 |
| 41 | BONPC-11KN-39 | Hex bolt M8x25(Fine pitch thread) | Perno hexagonal M8 x 25 (rosca de paso fino) |
| 42 | BONPC-11KN-40 | Protective frame | Marco protector |
| 43 | BONPC-11KN-41 | Plain washer ϕ 10 | Arandela plana ϕ 10 |
| 44 | BONPC-11KN-42 | Cushion ϕ 10 | Cojín ϕ 10 |
| 45 | BONPC-11KN-43 | Hex bolt M10x30 | Perno hexagonal M10 x 30 |
| 46 | BONPC-11KN-44 | Hex flange nut M8 | Tuerca hexagonal con brida M8 |
| 47 | BONPC-11KN-46 | Hex socket bolt M8x20 | Perno hexagonal M8 x 20 |
| 48 | BONPC-11KN-47 | Belt cover | Funda de cinturón |
| 49 | BONPC-11KN-48 | Rubber cap | Tapón de goma |
| 50 | BONPC-11KN-49 | Hex bolt M8 | Perno hexagonal M8 |
| 51 | BONPC-11KN-50 | Hex full tooth bolt M8X60 | Perno hexagonal de diente completo M8X60 |
| 52 | BONPC-11KN-51 | Hex bolt M8x16 | Perno hexagonal M8 x 16 |
| 53 | BONPC-11KN-52 | Aluminum washer | Arandela de aluminio |
| 54 | BONPC-11KN-53 | Oil plug M14x1.5 | Tapón de aceite M14 x 1,5 |
| 55 | BONPC-11KN-54 | Wheel assy | Conjunto de rueda |
| | | Bracket of wheel | Soporte de rueda |

| | | | |
|----|-----------------|------------------------|-------------------------------|
| 56 | BONPC-11KN-54.1 | | |
| 57 | BONPC-11KN-54.2 | Wheel | Rueda |
| 58 | BONPC-11KN-54.3 | Plain washer ϕ 16 | Arandela plana ϕ 16 |
| 59 | BONPC-11KN-54.4 | Circlip ϕ 17 | Anillo de seguridad ϕ 17 |
| 60 | BONPC-11KN-55 | Rubber mat | Alfombra de goma |
| 61 | BONPC-11KN-56 | Hex bolt M8x35 | Perno hexagonal M8 x 35 |
| 62 | BONPC-11KN-57 | Hex locknut M8 | Contratuercas hexagonal M8 |